

Dynamex™ Rise-It

PAVER PEDESTAL INSTALLATION GUIDE

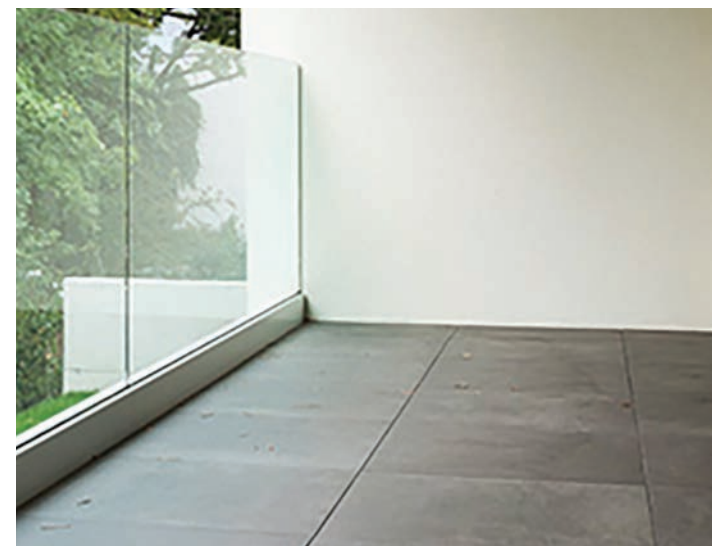


Dynamex™
Rise-It
3mm
paverriser.com
PIN # E-71850
PATENT PENDING

Dynamex™



BY REDWOOD PLASTICS AND RUBBER



Porcelain Pavers Contractor Installation Information

This installation manual is designed to be used by professional hardscape contractors and assumes they are already familiar with the proper construction techniques; design considerations and have the required skills for the installation of interlocking paving stones. It further assumes that the contractor has access to the required tools for such construction.

INSTALLATION INFORMATION:

Each of the following option details will include specific information relative to the selected installation. Base thicknesses vary between different geographical and climatic locations and the contractor will be installing typical base thicknesses for paving installations in their location.

IMPORTANT: Installing porcelain pavers requires the bedding course sand to be pre-compacted and then struck off with a screed to the required thickness as shown in the detail drawings. The porcelain pavers are not compacted and therefore the sand layer beneath them requires pre-compaction. Do not compact dry sand, but insure the sand has a 5 to 6% moisture content so that it will compact cohesively and allow for a smooth strike off finish.

INSTALLATION INFORMATION THAT MUST BE FOLLOWED:

- NEVER compact porcelain pavers with a plate compactor.
- ALWAYS pre-compact and strike off your sand leveling course before installing your porcelain pavers in sand set installations.
- Porcelain pavers should only be wet cut with a tile saw equipped with a wet cut porcelain blade.
- NEVER install porcelain pavers without the required spacing between them. The porcelain pavers should never be installed with a porcelain to porcelain contact.
- For a 100 sf. project, approximately 34 spacers are needed; this allows for overages if needed on a flat install.
- Use a reinforced backing for any installation over 1 1/2 inch tall.

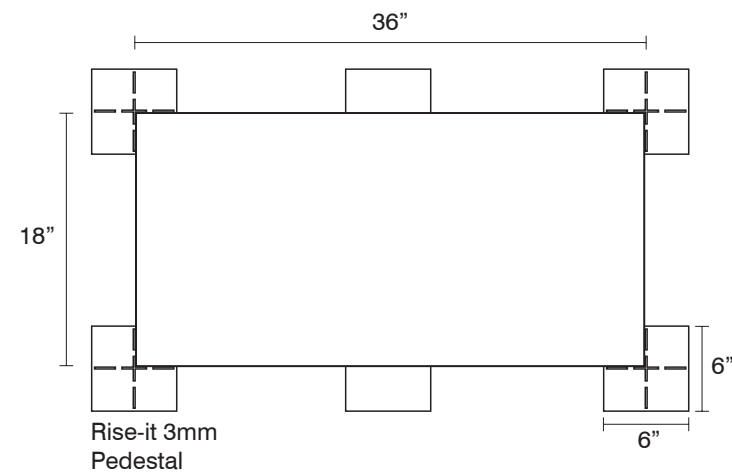
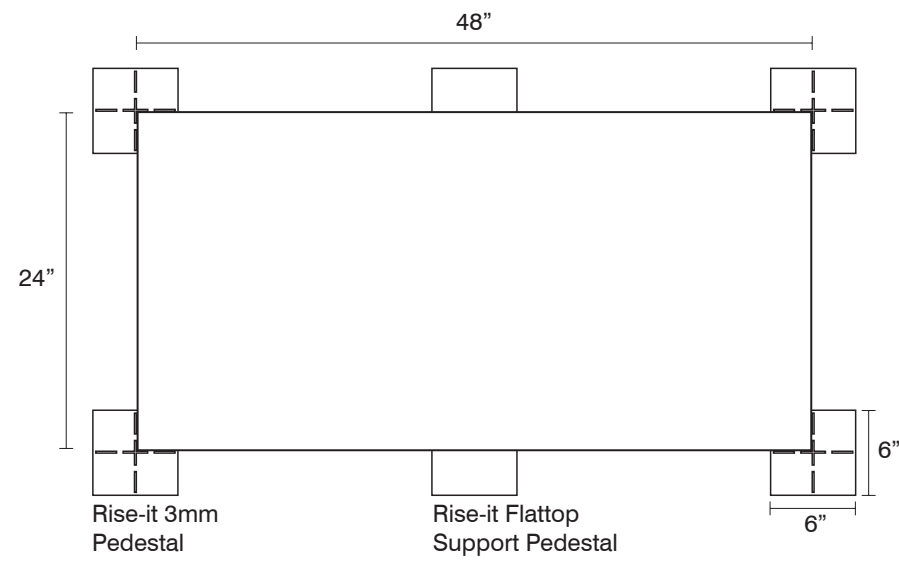
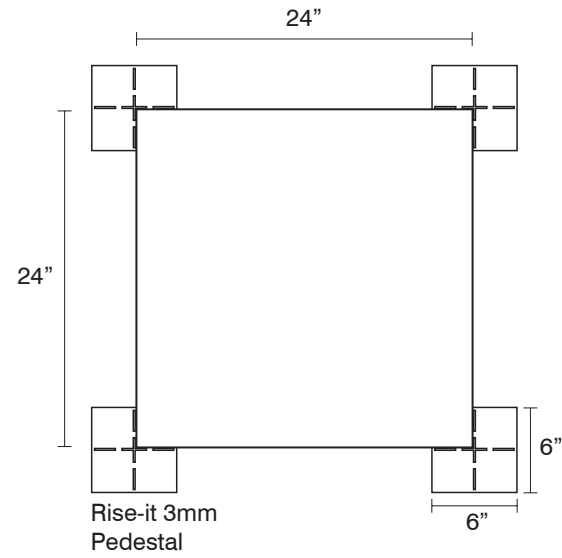


PAVER PEDESTAL PRODUCT LINE

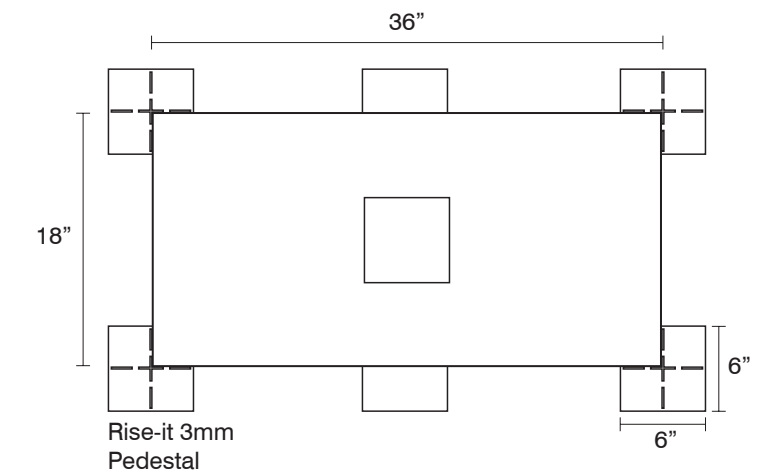
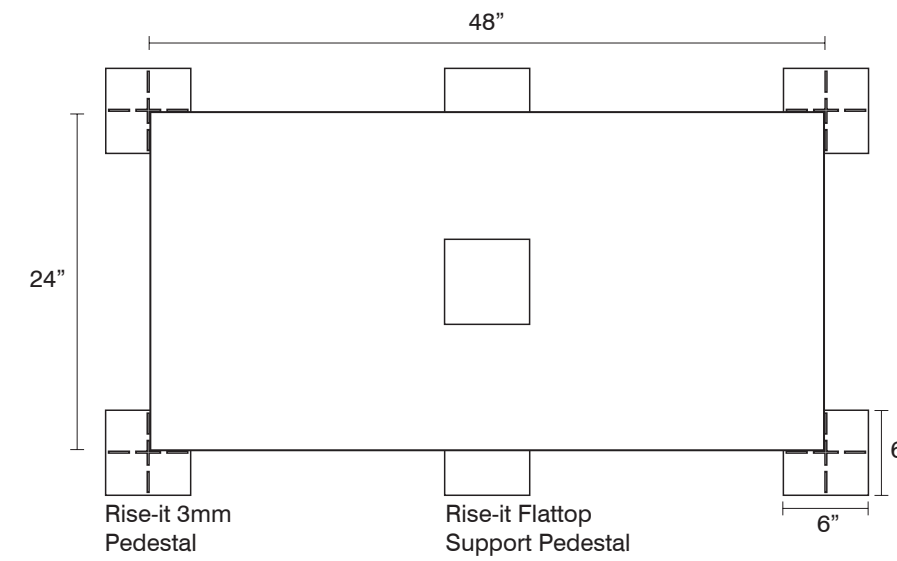
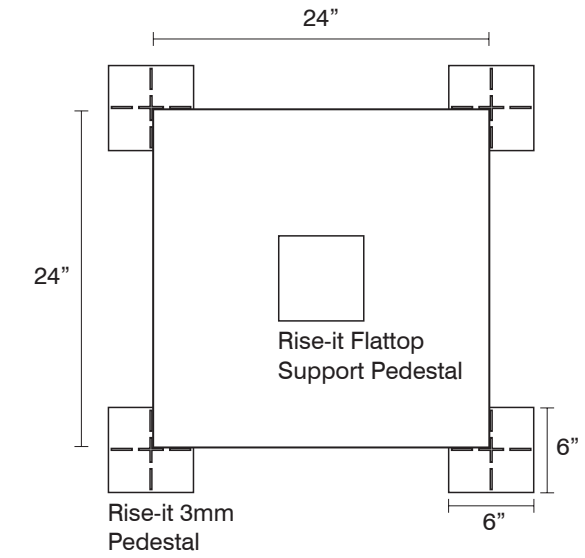


Part Number	Description	Dimensions
E-71850	Dynamex™ Rise-it Pedestal - 1/2"	
E-71851	Dynamex™ Rise-it Paver - SHM 1/16"	
E-71852	Dynamex™ Rise-it Pedestal - 1/8"	
E-71855	Dynamex™ Rise-it Pedestal - Flat Top	

OPTION A

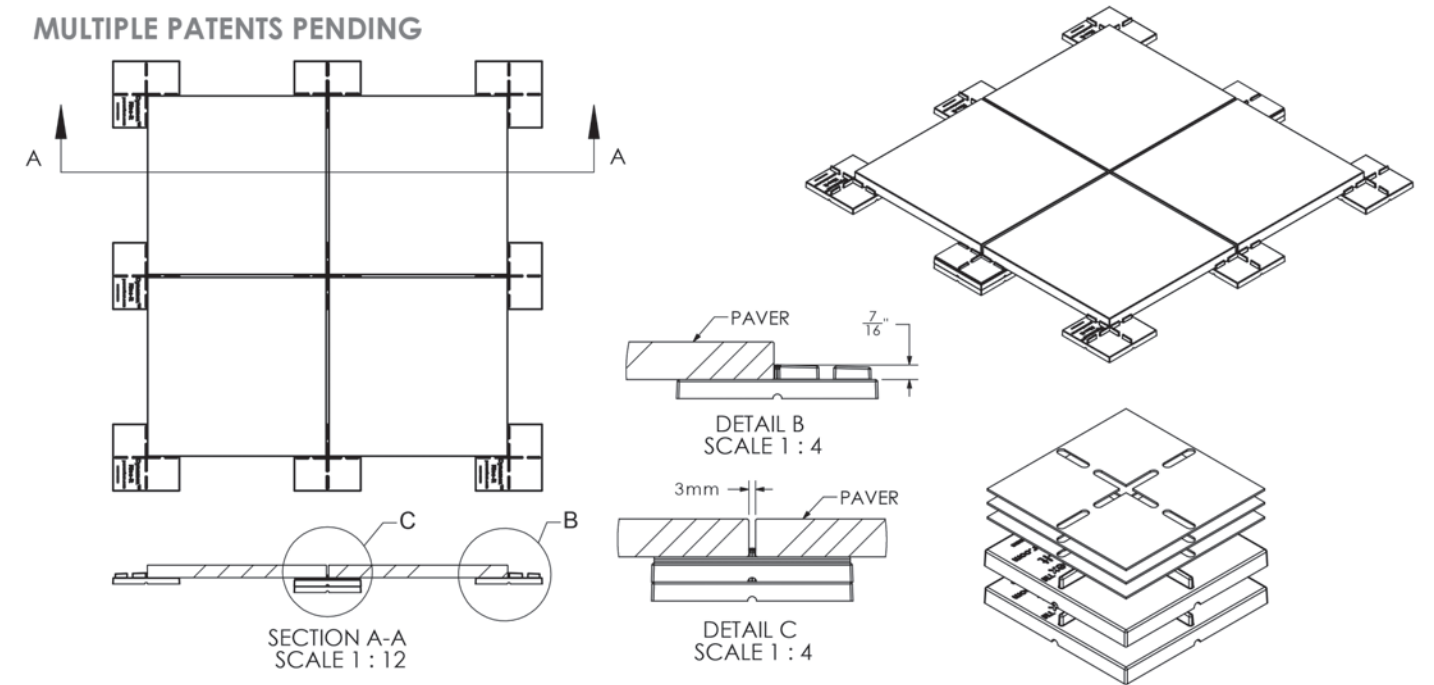


OPTION B





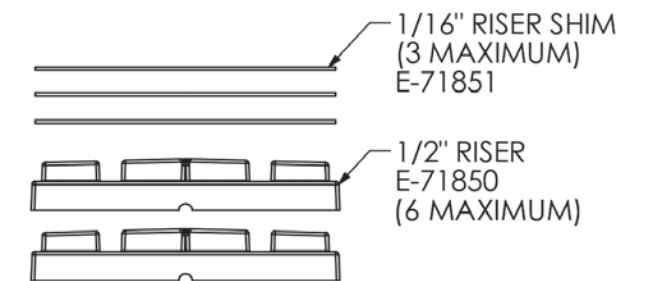
MULTIPLE PATENTS PENDING



Maximum Load Rating

1 piece of E-71850 Rise-it
1/2" tall pad tested to 10,000 + LBS

6 pieces of E-71850 Rise-it
1/2" tall pads stacked to 3" overall height tested to 2,000 + LBS



Permeable Over Open Graded Aggregate Installation (Pedestrian Foot Traffic)



ROOFTOP



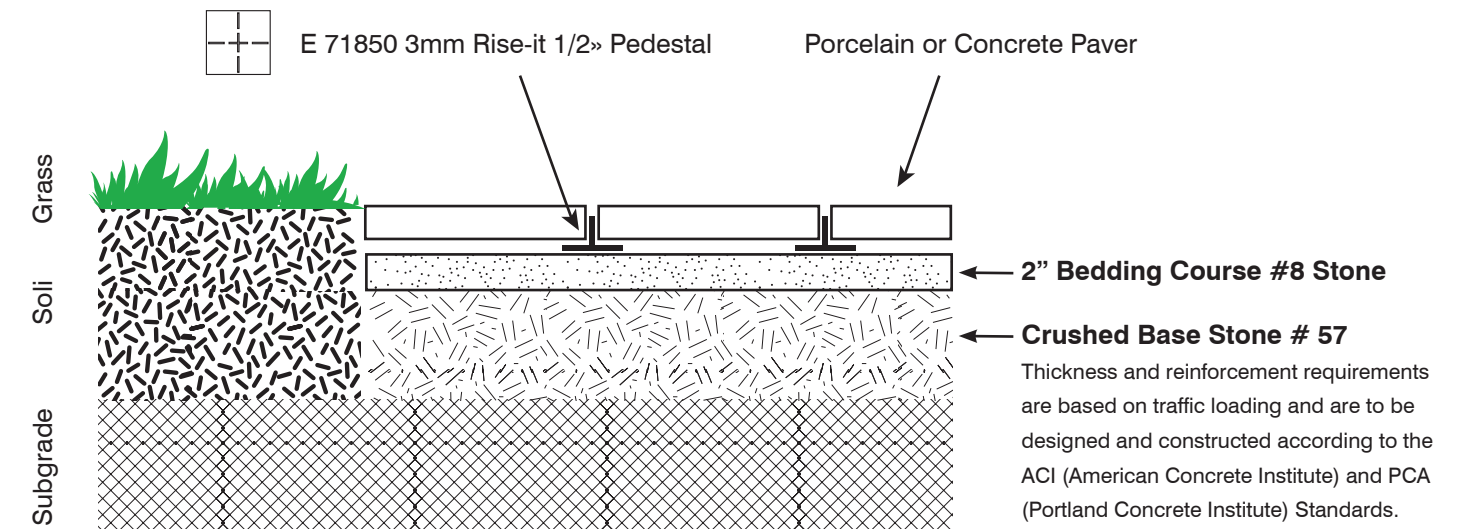
RESIDENTIAL DECK



SAND & GRAVEL POOL DECK

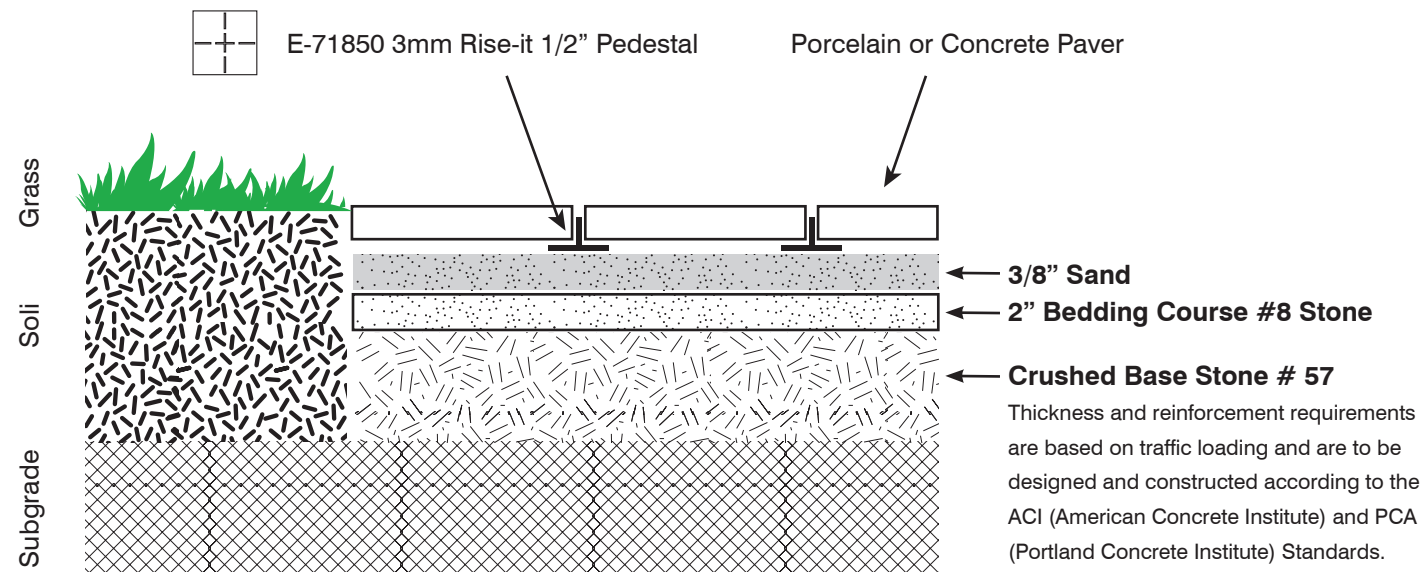


APARTMENT DECK & COMMON AREA



CAUTION
Never compact pavers with plate compactor.
Never install paver without 3mm spacer between all units.

Sand Set Over Compacted Road Base Installation (Pedestrian Foot Traffic)



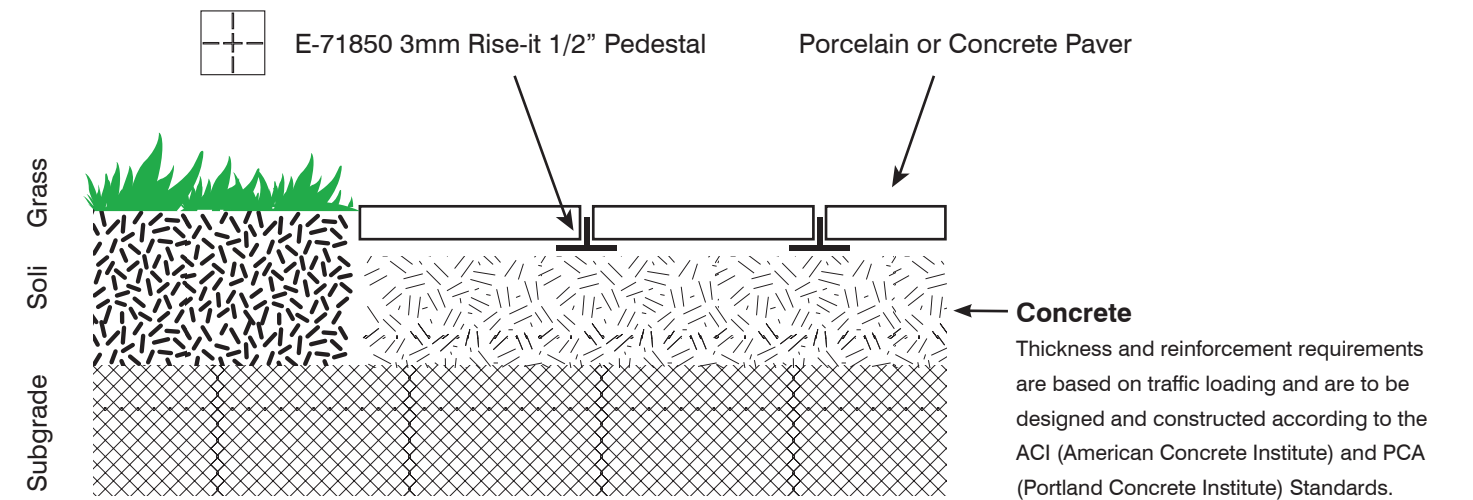
CAUTION

Only use the E-71850 1/2" 3mm Rise-it Pedestal when doing sand installs as the honeycomb base will lock into the sand and sit on the gravel base.

Never compact pavers with plate compactor.

Never install without 3mm spacer between all units.

Fixed Pedestal Installation on Concrete Floor (Pedestrian Foot Traffic)

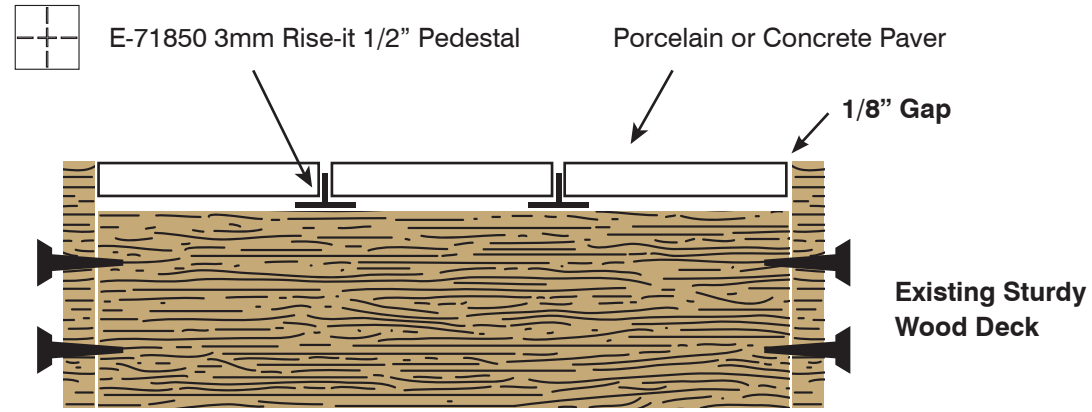


CAUTION

Never compact pavers with plate compactor.

Never install without 3mm spacer between all units.

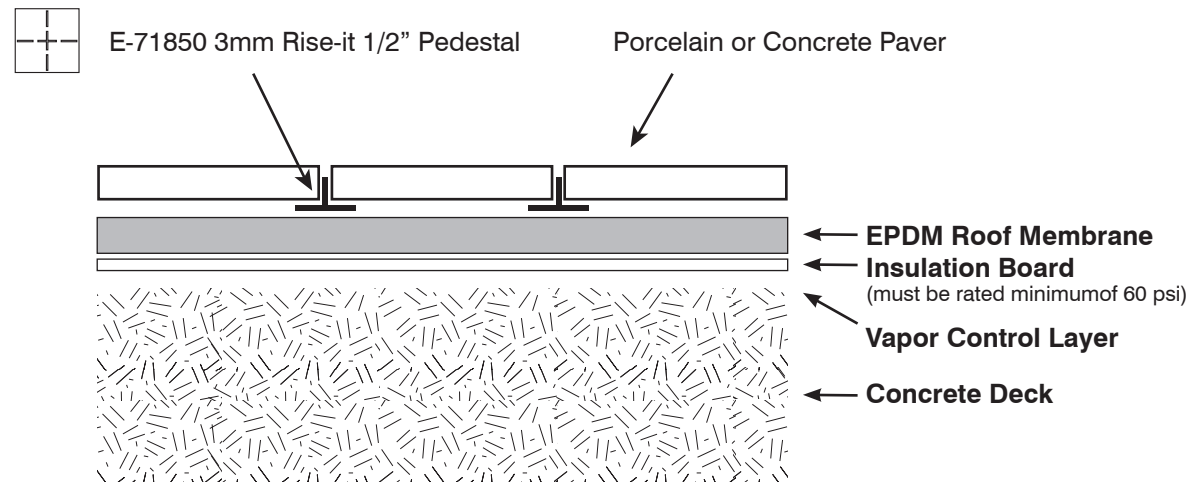
Fixed Pedestal Installation on Existing Sturdy Wood Deck (Pedestrian Foot Traffic)



CAUTION

Always ensure deck substructure is sound
Never install without 3mm spacer between all units.

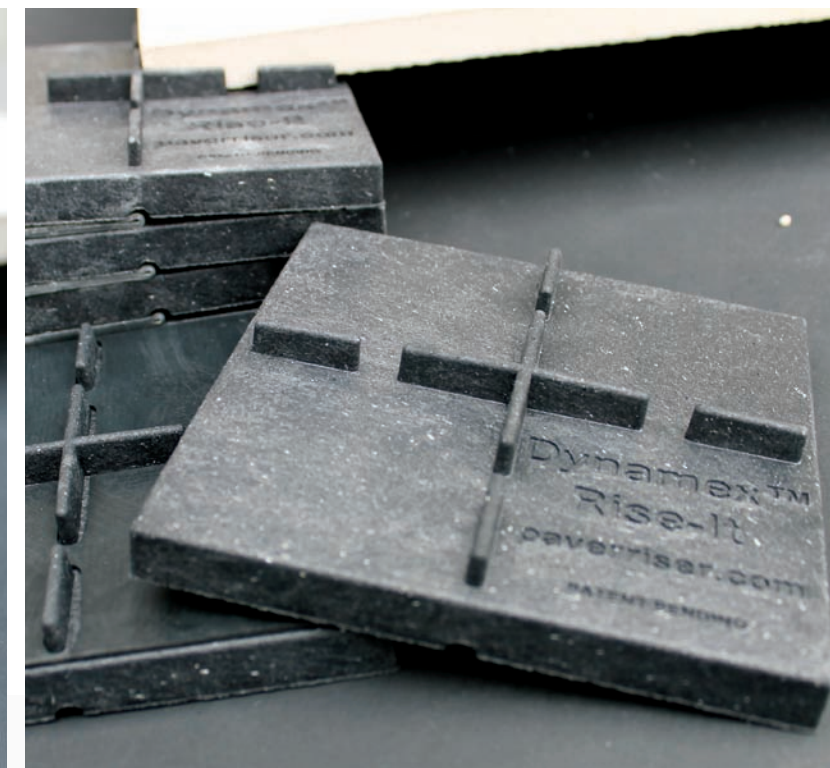
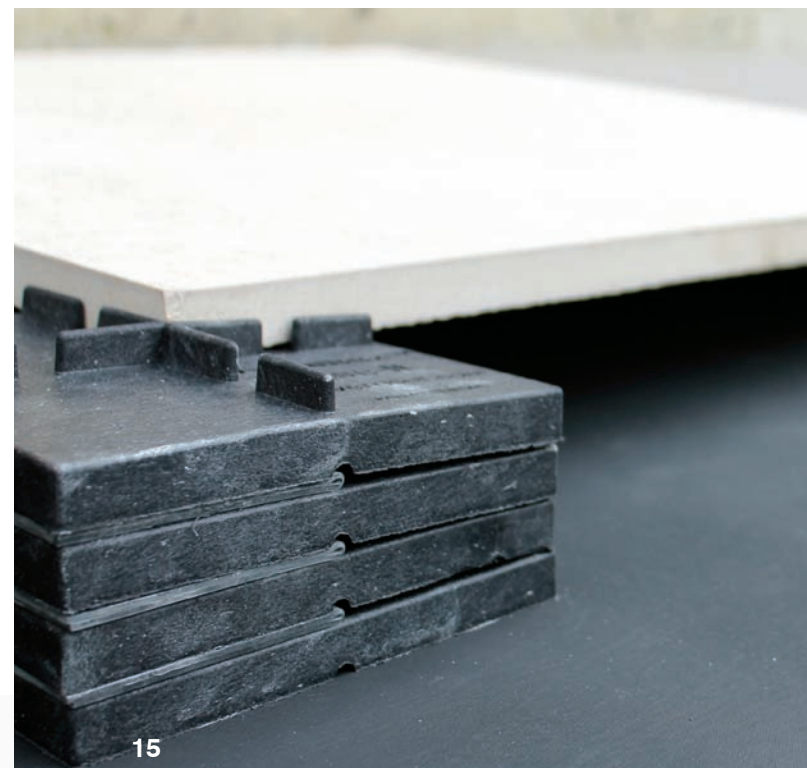
EPDM Paver Overlay Installation (Pedestrian Foot Traffic)



CAUTION

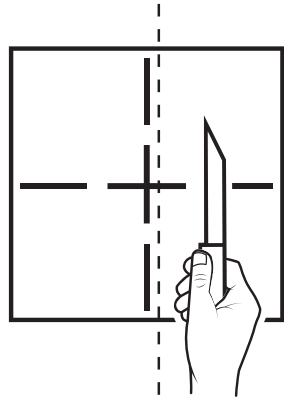
Never install without 3mm spacer between all units.

Dynamex™ Rise-It - Frequently Asked Questions



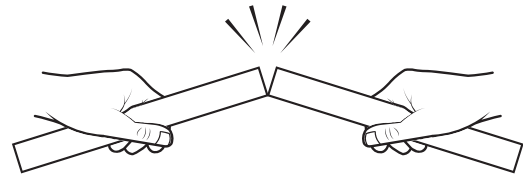
Step by step cutting of Rise-it

1



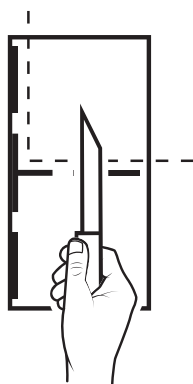
Score two or three times with utility knife.

2



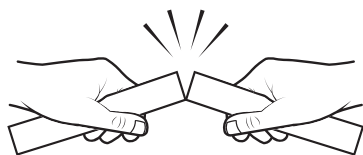
Place your hands firmly on the Rise-it on either end of your cut line. Bend and snap for a clean cut.

3



Score your "halved" Rise-it twice to create a 1/4 square from 6" x 6" Rise-it.

4



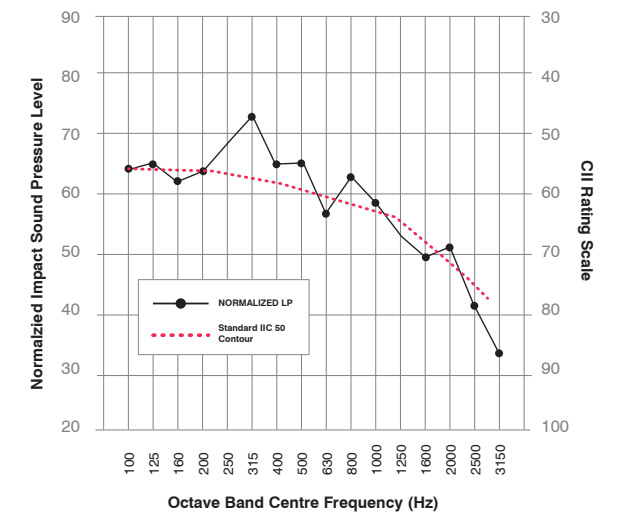
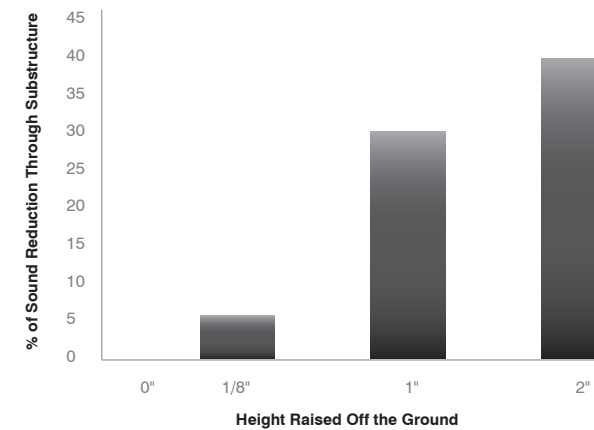
Repeat Step 2.

SOUND DAMPENING

The Rise-It pedestal system excels with outdoor pavers made from harder materials such as porcelain.

The rubber composition in the Rise-It helps dampen sound by up to 40% when at an elevation of 2" or higher. It also reduces vibration and squeaking which can be noticed when walking over a complete installation.

Sound Absorption through Sub-Structure



WARNING:

Outdoor pavings installed unglued above the ground level are subject to the action of the wind, with the risk, in some cases, of becoming airborne. We recommend the assistance of a qualified professional in order to check the suitability of the installation system above the ground adopted, in accordance with the local laws and regulations and the conditions of use. Failure to do so could result in serious injury or property damage.

A ceramic slab installed on a raised pedestal system may fracture on impact if a heavy object is dropped onto it from a height, with a risk of injury to anyone standing or walking on such slab. Failure to adhere to the manufacturer's instructions for installation of slabs on raised pedestal systems may result in serious injury.

NOTE:

If the application of the 20 mm (3/4") slabs foresees the ceramic product used in structural installations, the project engineer and/or customer must carefully assess the project requirements with regard to the technical specifications of the slabs.

To prevent the risk of damage or injury, the manufacturer recommends:

With regard to a raised floor installation a ceramic slab may fracture on impact if a heavy object falls on it from any significant height. Therefore the manufacturer recommends to check the specific intended use before starting the installation and to follow table for raised installation provided below. In certain conditions, reinforcing must be applied on the back of the slabs (mesh plus or galvanized steel sheet) supplied and applied by the manufacturer;

With reference to any dry installation system of flooring above the ground level, the manufacturer recommends to comply with local regulations and conditions of use with regard to wind-load, loadbearing, seismic events, etc. Failure to comply with these recommendations may lead to improper use of the product and could cause serious injury or damage.



Product contributes to LEED 2009 or LEED V4 credits www.usgbc.org

- 1) Heat Island Effect- LEED credit SSc7.1 & SSc7.2 (2 points possible)
- 2) Recycled Content- LEED credit MRc4 (2 points possible)
- 3) Regional Materials- LEED Credit MRc5 (2 points possible)
- 4) Storm Water Design- LEED Credits SSc6.1 and SSc6.2 (2 points possible)
- 5) Innovation in Design- LEED Credit IDc1 (5 points possible)
- 6) Construction & Waste Management- LEED credit MRc4 (2 points possible)
- 7) Low Emitting Materials - LEED credit IEQ4.1 & 4.3 (3 points possible)



- Product is more energy-efficient in operation than similar products
- Product is more water-efficient than similar products
- Product is more durable and/or requires less maintenance than similar products
- Product contains post-consumer recycled content {100% Recycled Content}
- Product has been salvaged and reconditioned from previous use (100% Recycled)
- Product is recyclable or biodegradable after use



By using the DYNAMEX™ Rise-It data you agree to the Product Terms & Conditions.



REDWOOD
PLASTICS AND RUBBER

CAN **1.800.667.0999**

USA **1.866.733.2684**

sales@redwoodplastics.com
www.redwoodplastics.com